

# INTERTON | TV STREAMER 2



## Product Description

The Interton TV Streamer 2 transforms your customers' hearing instruments into a set of smart and discreet wireless headphones. It sends stereo sound from the TV or other audio device directly into their hearing instruments. Your customers don't have to wear anything extra, and no cables or wires are needed.

With the TV Streamer 2, your customer never has to choose between watching TV and taking part in a conversation. Customers will hear sound that is balanced between the TV and the surroundings. So they can watch TV, take part in conversations and keep track of what's going on around them.

The TV Streamer 2 isn't just for the TV. Customers can use it to connect to their computers, stereo and other audio devices. The 2.4 GHz wireless technology opens the door to some unique opportunities, such as connecting up to three streamers to different audio devices or connecting one streamer to many users. For example, a whole group of Interton wireless hearing instrument users could enjoy TV together with the same TV Streamer 2. Each individual would enjoy strong and clear transmission of sound directly to their hearing instruments.

## Easy to connect

- Works with virtually all analogue and digital audio devices
- To pair: Just press the pairing button on the TV Streamer 2 and open and close the battery door of the hearing instruments within 20 seconds
- Pairing can also be done through the Interton Appraise® 2.2 fitting software
- Adjustable delay mode available to counter echo and lip-sync issues in advanced audio setups when using e.g. surround systems and set-top boxes

## Easy to use

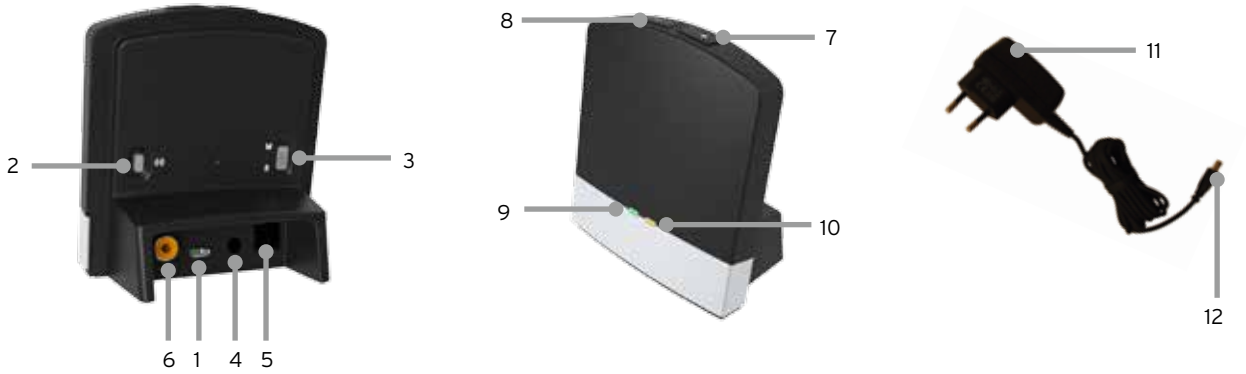
- Activated at the push of a button - either on the hearing instrument or on the Interton Remote Control (optional)
- Streams crystal clear sound from up to 7 metres away, so customers can move around while watching TV
- Reconnects automatically, if the customer leaves the room and returns within 5 minutes
- Install it and forget it - just click a button to watch TV

## 2.4 GHz wireless Technology

- A smart, robust and reliable standard that has a strong, clear and stable signal
- With an unnoticeable 20 ms delay, issues related to synchronization between sound and image are avoided

## Description

1. Micro-USB power socket
2. Pairing button
3. Mono/stereo switch
4. Analogue mini-jack audio input
5. Optical (Toslink) audio input
6. Coaxial audio input
7. Increase volume
8. Decrease volume
9. Power light (green)
10. Activity light (yellow)
11. Wall plug
12. Mini-USB plug



Technical data	
Dimensions	91 x 83 x 47 mm
Weight	93 g
Power supply	External wall adaptor, 5 V DC.
Power connection	Micro USB
Power consumption	Max. 150 mA
Audio interfaces	Analogue: Stereo mini-jack -> L/R RCA/mini-jack/Scart Digital: Optical (Toslink) Coaxial
Supported digital audio formats	Stereo PCM - Sample rate: Up to 192 kHz - Sample resolution: Up to 32 bit Dolby Digital* - Channels: Max 5.1 - Bitrate: 32 kbs to 640 kbs - Sample rate: 32, 44.1 and 48 kHz
Line input sensitivity	750 mV RMS
Wireless connections	Multiple hearing instruments per TV Streamer 2 Up to 3 streamers per binaural set of hearing instruments
Streaming range	7 metres
Streaming latency	20 ms
Audio quality	Mono / Stereo 20 kHz sample frq.
Audio bandwidth	10 kHz
Wireless frequency	2.4 GHz
Emission	Max. 10 dBm In compliance with all relevant standards
ESD tolerance	± 4 kV contact ± 8 kV air
Operating temperature	0 to 55 °C
Storage temperature	-20 to +60 °C

\*Dolby Digital Plus (requiring an HDMI interface), Dolby TrueHD, Dolby Pro Logic, Dolby Digital EX, Dolby Digital Surround EX, and AAC (Advanced Audio Codec) are not supported.